



EZ38

Tracked Zero Tail Excavators



EZ38 - expands your leeway for working.

The highly comfortable interior completes the concept of Zero Tails in a unique way. Whether with the completely revised cabin or the modified hydraulics, the new EZ models will also convince you in everyday work on the construction site.

- Cabin and canopy impress with an ergonomic design for more comfort, precision and productivity.
- A large volume diesel engine and an efficient hydraulics system permit working at full load in surrounding temperatures of up to 45 °C.
- The compact dimensions and the robust design make the new EZ models extremely maneuverable and compact machines with long, useful lives.
- Maximum connection options with up to 3 auxiliary control circuits.
- Optional Vertical Digging System (VDS) and Easy Lock.



Technical specifications

Operating data

Shipping weight min.	3,580 kg
Operating weight min.	3,755 kg
Biting force max. (ISO 6015)	23.31 kN
Breakaway force max. (ISO 6015)	35.2 kN
Digging depth	3,110 mm
Dumping height max.	3,220 mm
Digging radius	5,300 mm
Superstructure slewing speed	8.8 1/min
L x W x H	4,800 x 1,740 x 2,500 mm

Engine / Motor

Engine / Motor manufacturer	Yanmar
Engine / Motor type	3TNV88
Engine / Motor	Water-cooled 3-cylinder diesel engine
Displacement	1,642 cm ³
RPM / speed	2,400 rpm
Engine performance acc. to ISO	21 kW
Battery	71 Ah
Tank capacity	44 l

Hydraulic system

Duty pump	Double variable- & two-gear pump
Flow rate	117.6 l/min
Operating pressure for working and traction hydraulics	240 bar
Operating pressure Slewing gear	210 bar
Hydraulic oil tank	38.5 l

Wheel set

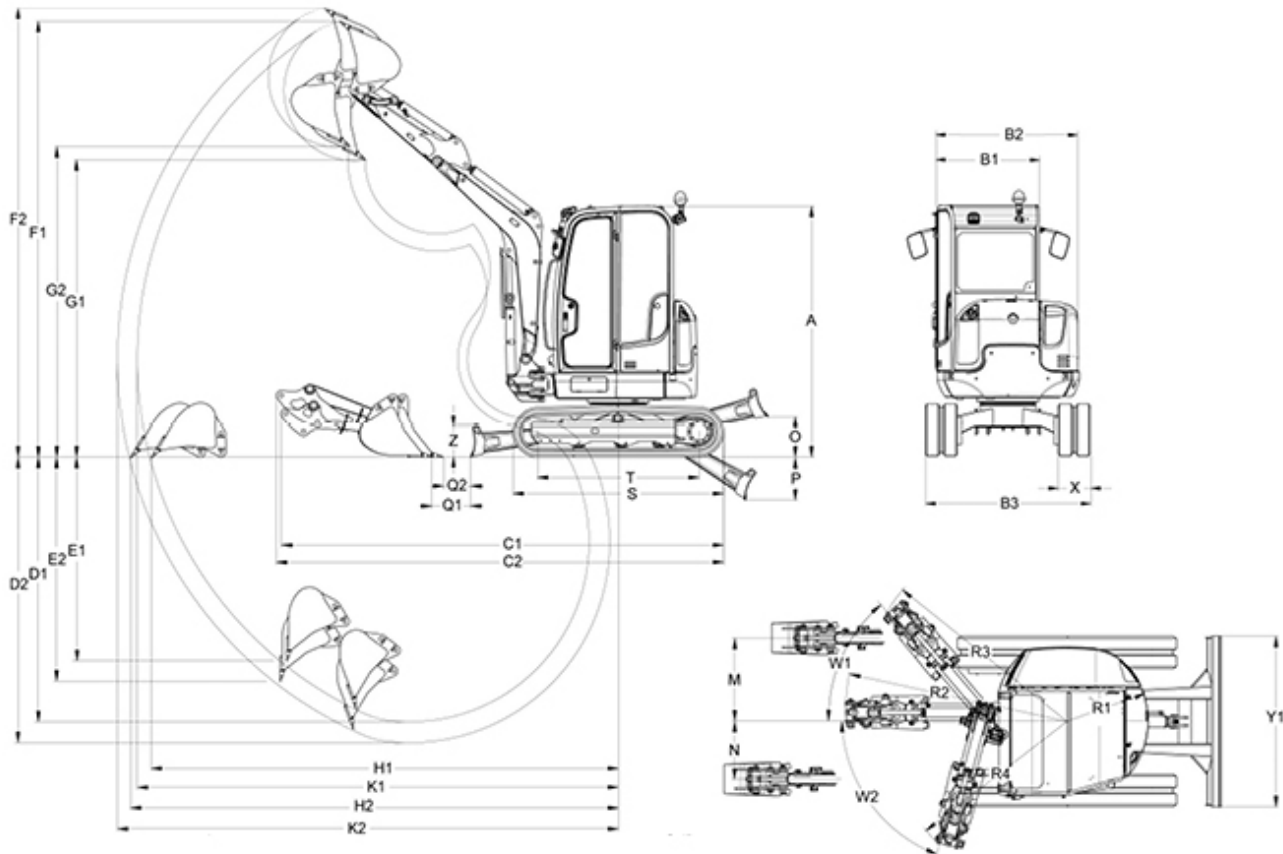
Travel speed max.	4.6 km/h
Gradeability	58 %
Chain width	300 mm



Ground clearance	280 mm
<hr/>	
Dozer Blade	
Width	1,740 mm
Height	345 mm
Stroke max., above ground	390 mm
Stroke max., below ground	450 mm
<hr/>	
Sound level	
Sound level (LwA) acc. to 2000/14/EC	95 dB(A)
Cabin - specified sound pressure level LpA acc. to ISO 6394	77 dB(A)



Dimensions



B1	Width of the cabin mm	990
B2	Width of the revolving superstructure mm	1,600
B3	Width of the undercarriage mm	1,740
C1	Transport length (short dipper arm) mm	4,800
C2	Transport length (long dipper arm) mm	4,825
D1	Digging depth Max. (short dipper arm) mm	3,110
D2	Digging depth Max. (long dipper arm) mm	3,360
E1	Insertion depth Max. vertical (short dipper arm) mm	2,385
E2	Insertion depth Max. vertical (long dipper arm) mm	2,625
F1	Insertion height Max. (short dipper arm) mm	4,530
F2	Insertion height Max. (long dipper arm) mm	4,660
G1	Dumping height Max. (short dipper arm) mm	3,320
G2	Dumping height Max. (long dipper arm) mm	3,445



K1	Digging radius Max. (short dipper arm) mm	5,300
K2	Digging radius Max. (long dipper arm) mm	5,535
H1	Range Max. ground coverage (short dipper arm) mm	5,190
H2	Range Max. ground coverage (long dipper arm) mm	5,430
M	Arm displacement Max. boom offset to center of bucket, right side mm	740
N	Arm displacement Max. boom offset to center of bucket, left side mm	590
O	Lift height Max. of dozer blade above subgrade mm	380
P	Scraping depth Max. of the dozer blade below subgrade mm	460
W1	Turning angle Max. of the arm system to the right °	55
W2	Turning angle Max. of the arm system to the left °	70
Q1	Distance of bucket dozer blade (short dipper arm) mm	260
Q2	Distance of bucket dozer blade (long dipper arm) mm	120
R2	Boom slewing radius center mm	2,380
R3	Boom slewing radius right mm	2,220
R4	Boom slewing radius left mm	1,985
S	Length Total traveling gear mm	2,060
T	Length Traveling gear length of the sprocket guide wheel mm	1,605
Y1	Width Dozer blade mm	1,740
Z	Height Dozer blade mm	355

Please note

that product availability can vary from country to country. It is possible that information / products may not be available in your country. More detailed information on engine power can be found in the operator's manual; the stated power may vary due to specific operating conditions. Subject to alterations and errors excepted. Applicable also to illustrations.
Copyright © 2016 Wacker Neuson SE.